



WWW.BARRYIND.COM

ABC2010CT-3000JN-98-06



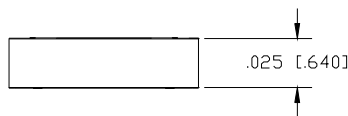
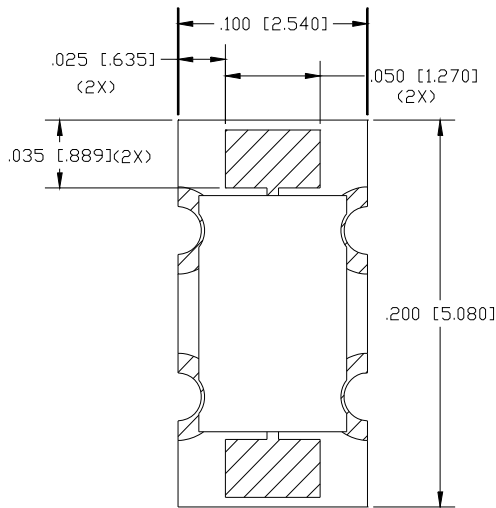
BeO 30 dB CHIP ATTENUATOR

Features:

- ◆ BeO Material
- ◆ DC - 6 GHz Performance
- ◆ 10 Watt Input Power
- ◆ Surface Mountable

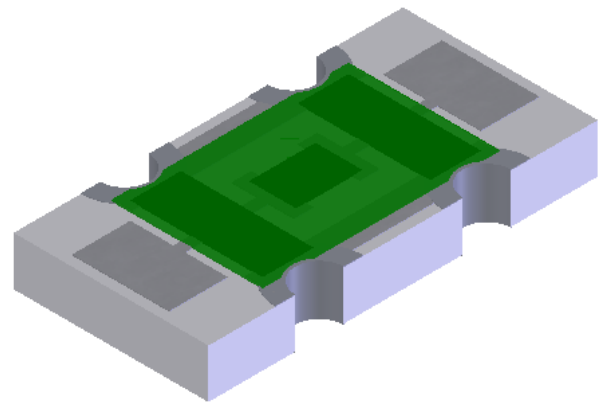
General Description:

The ABC2010CT-3000JN-98-06 is a 30 dB BeO chip attenuator. It has an input power of 10 watts, while maintaining a constant mounting surface temperature of 100°C. It offers a frequency range from DC to 6 GHz.

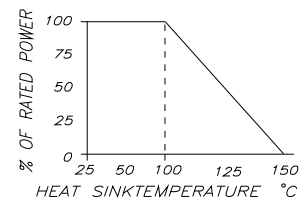


Dimensions in inches [mm]
Tolerance $\pm .010$ [.254]
unless otherwise stated

UNIT CAN BE MOUNTED
IN EITHER DIRECTION



DERATING CURVE:



Parameter	Min.	Typ.	Max	Units
Frequency Range	DC		6	GHz
Attenuation	29	30	31	dB
Input Return Loss	18			dB
Output Return Loss	18			dB
Input Power			10	Watts
Mounting Surface Temperature			100	°C

Barry Industries reserves the right to change part number and or process without notification.

Barry Industries, Inc., 60 Walton St., Attleboro, MA 02703 T: 508-226-3350 F: 508-226-3317 E-mail: sales@barryind.com

Barry Industries maintains an ISO 9001 Certified Quality Management System

Origination Date	Revision Date	Rev.
12/04/08	12/04/08	-