



WWW.BARRYIND.COM

ABC2010CT-1000JN-2T



Aluminum Nitride

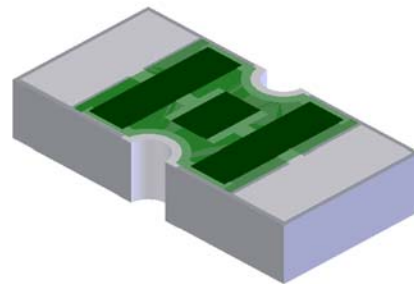
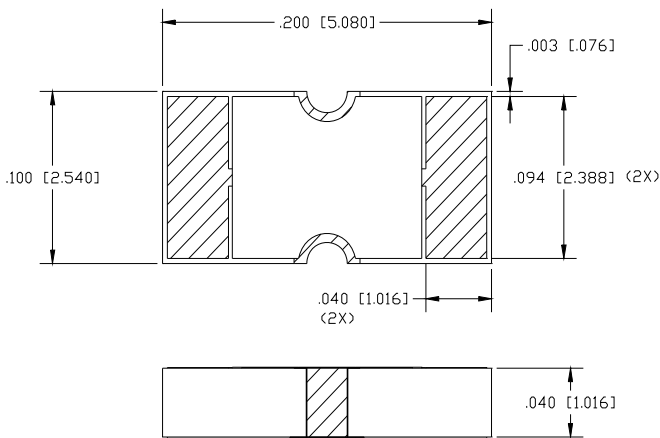
CHIP ATTENUATOR

Feature:

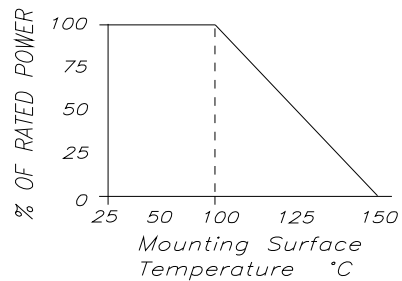
- ◆ Aluminum Nitride Material
- ◆ DC - 4 GHz Performance
- ◆ 10 Watt Input Power
- ◆ Surface Mountable
- ◆ CT=Matte Tin over Nickel over Silver

General Description:

The ABC2010CT-1000JN-2T is a 10 dB, Aluminum Nitride chip attenuator. It has an input power rating of 10 watts, while maintaining a constant mounting surface temperature of 100°C. It offers a frequency range from DC- 4 GHz.



DERATING CURVE:



Dimensions in inches [mm]
Tolerance $\pm .005$ [.127]
unless otherwise stated

Parameter	Min.	Typ.	Max.	Units
Frequency Range	DC		4	GHz
Input Return Loss	20			dB
Output Return Loss	20			dB
Attenuation	9	10	11	dB
Input Power			10	Watts
Mounting Surface Temperature			100	°C

Barry Industries reserves the right to change part number and or process without notification.

Barry Industries, Inc., 60 Walton St., Attleboro, MA 02703 T: 508-226-3350 F: 508-226-3317 E-mail: sales@barryind.com

Barry Industries maintains an ISO 9001 Certified Quality Management System

Origination Date	Revision Date	Rev.
10/04/10	10/04/10	-