

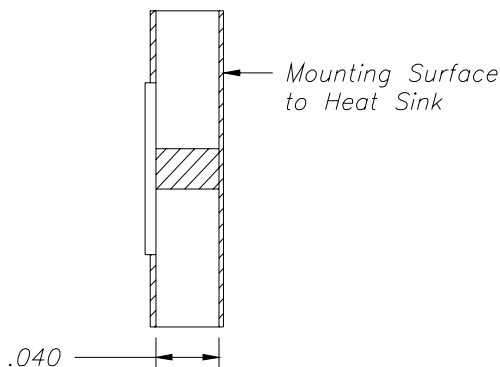
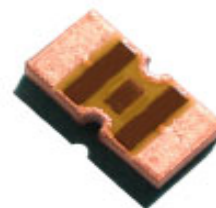
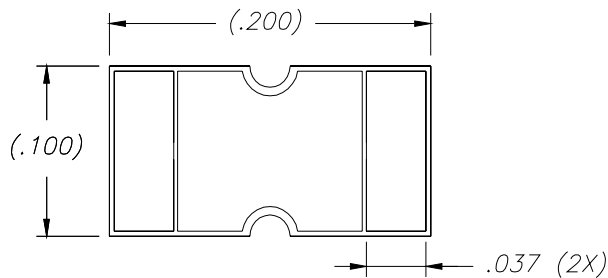
Aluminum Nitride 3dB ATTENUATOR

Features:

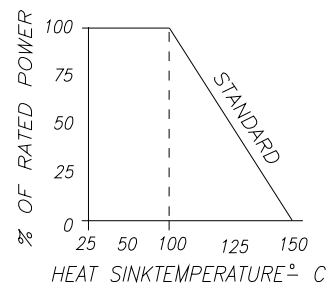
- ◆ AIN material
- ◆ DC to 4 GHz
- ◆ 10 Watt Power Rating

General Description:

The ABC2010CT-0300GN-2T is an AIN 3 dB chip attenuator with a frequency range from DC to 4 GHz. It has a power rating of 10 Watts while maintaining a heat sink temperature of 100°C and is solder mountable.



DERATING CURVE:



Parameter	Min.	Typ.	Max	Units
Frequency Range	DC		4	GHZ
Attenuation Flatness		±.5		dB
Input Return Loss	17			dB
Output Return Loss	17			dB
Power Dissipation			10	Watts
Heat Sink Temperature			100	°C

* Barry Industries reserves the right to change part number and or process without notification

Barry Industries, Inc., 60 Walton St., Attleboro, MA 02703 T: 508-226-3350 F: 508-226-3317 E-mail: sales@barryind.com
 Barry Industries maintains an ISO 9001 Certified Quality Management System

Origination Date	Revision Date	Rev.
10/24/06	10/24/06	-