



WWW.BARRYIND.COM

AA2000-150-4X



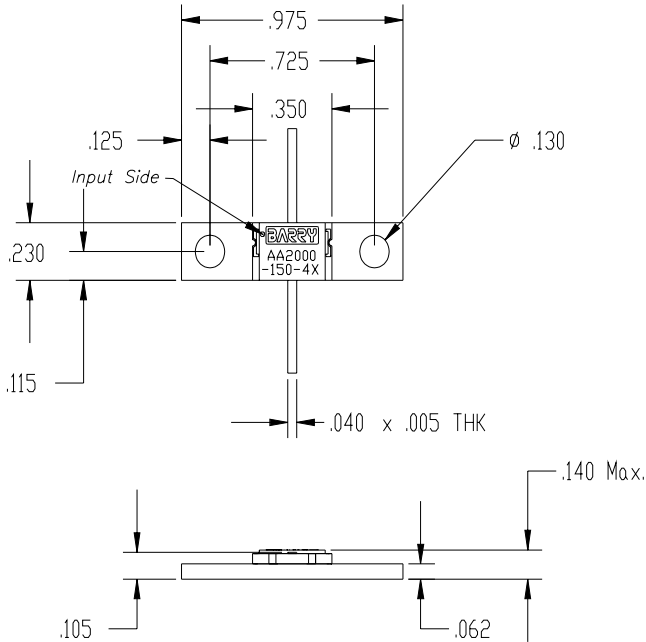
Aluminum Nitride 20dB FLANGED ATTENUATOR

Features:

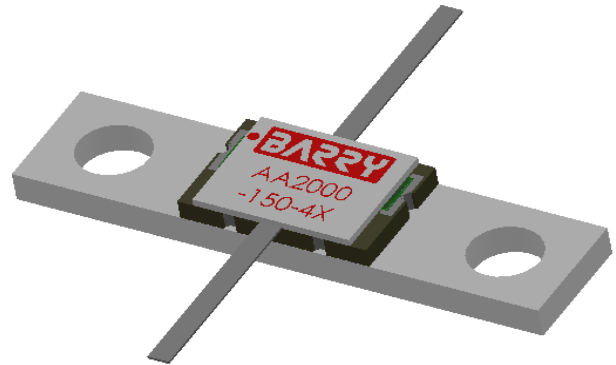
- ◆ Aluminum Nitride Material
- ◆ DC - 2.5 GHz Performance
- ◆ 150 Watt Input Power
- ◆ Flange Mount

General Description:

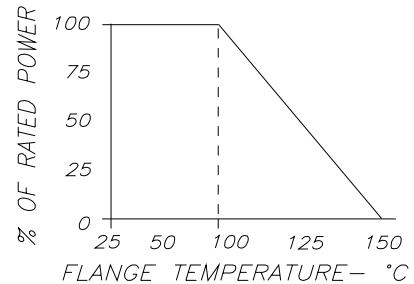
The AA2000-150-4X is a flanged 20 dB Aluminum Nitride attenuator. It has an input power of 150 watts, while maintaining a constant flange temperature of 100°C. It offers a frequency range from DC to 2.5 GHz.



Dimensions in inches
Tolerance $\pm .010$
unless otherwise stated



DERATING CURVE:



Parameter	Min.	Typ.	Max.	Units
Frequency Range 20 dB	DC		2.5	GHz
Attenuation	19.5	20	20.5	dB
Input Return Loss	17			dB
Output Return Loss	26			dB
Power (input)			150	Watts
Reverse Power (output)			2	Watts
Flange Temperature			100	°C

Barry Industries reserves the right to change part number and or process without notification.

Barry Industries, Inc., 60 Walton St., Attleboro, MA 02703 T: 508-226-3350 F: 508-226-3317 E-mail: sales@barryind.com
Barry Industries maintains an ISO 9001 Certified Quality Management System

Origination Date	Revision Date	Rev.
09/12/08	09/12/08	-