



WWW.BARRYIND.COM

# AA2000-10-3X



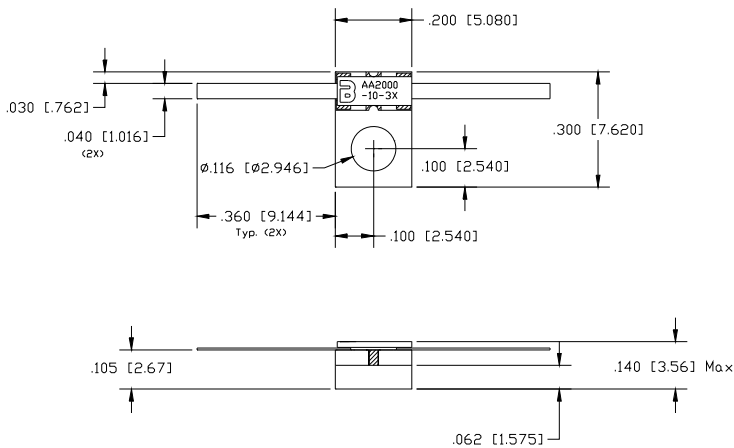
## Aluminum Nitride 20 dB FLANGED ATTENUATOR

### Features:

- ◆ Aluminum Nitride Material
- ◆ DC - 4 GHz Performance
- ◆ 10 Watt Input Power
- ◆ Flange mount

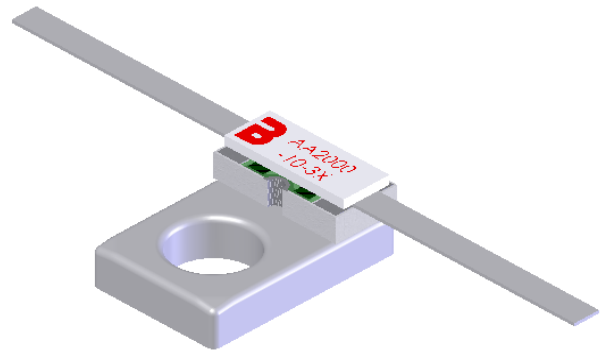
### General Description:

The AA2000-10-3X is a flanged, 20 dB Aluminum Nitride attenuator. It has an input power of 10 watts, while maintaining a constant flange temperature of 100°C. It offers a frequency range from DC to 4 GHz.

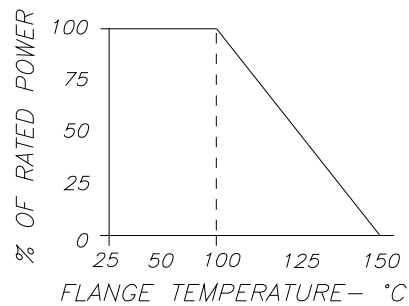


Dimensions in inches [mm]  
Tolerance  $\pm .010$  [.254]  
unless otherwise stated

Unit can be mounted  
in either direction



### DERATING CURVE:



Parameter	Min.	Typ.	Max.	Units
Frequency Range	DC		4	GHz
Input return loss	17			dB
Output return loss	17			dB
Input Power			10	Watts
Reverse Power			10	Watts
Flange Temperature			100	°C
Attenuation	19	20	21	dB

Barry Industries reserves the right to change part number and or process without notification.

Barry Industries, Inc., 60 Walton St., Attleboro, MA 02703 T: 508-226-3350 F: 508-226-3317 E-mail: sales@barryind.com

Barry Industries maintains an ISO 9001 Certified Quality Management System

Origination Date	Revision Date	Rev.
12/30/08	12/30/08	-