

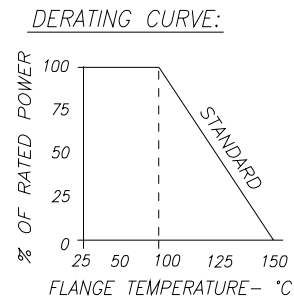
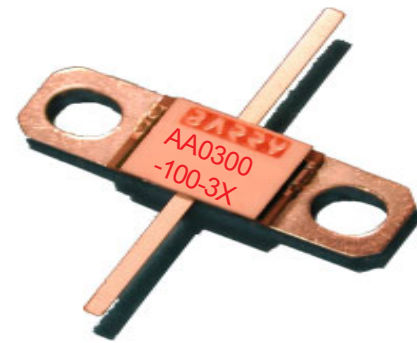
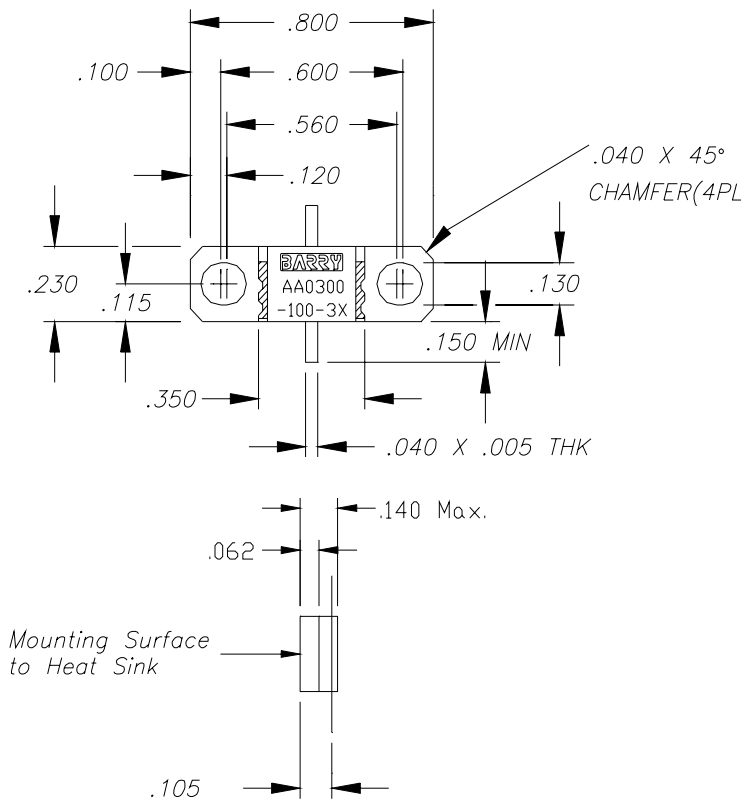
## Aluminum Nitride 3 dB FLANGED ATTENUATOR

### Features:

- ◆ AIN material
- ◆ 100 Watt power handling
- ◆ Flange mount

### General Description:

The AA0300-100-3X is a 3 dB leaded attenuator mounted onto a flange. It offers a power rating of 100 Watts max while maintaining a flange temperature of 100°C. It has a frequency range from DC- 2.0 GHz.



Parameter	Min.	Typ.	Max.	Units
Frequency Range	DC		2	GHz
Input Return Loss	15			dB
Output Return Loss	15			dB
Attenuation	2	3	4	dB
Power			100	WATTS
Flange Temperature			100	°C

\* Barry Industries reserves the right to change part number and or process without notification

Barry Industries, Inc., 60 Walton St., Attleboro, MA 02703 T: 508-226-3350 F: 508-226-3317 E-mail: sales@barryind.com  
Barry Industries maintains an ISO 9001 Certified Quality Management System

Origination Date	Revision Date	Rev.
10/31/06	10/31/06	-