

BeO

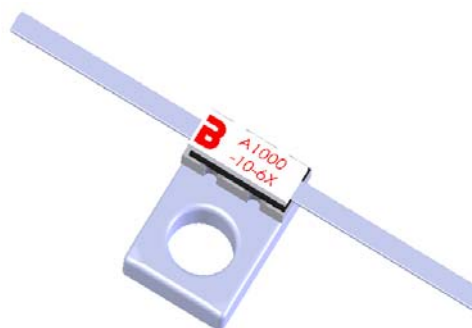
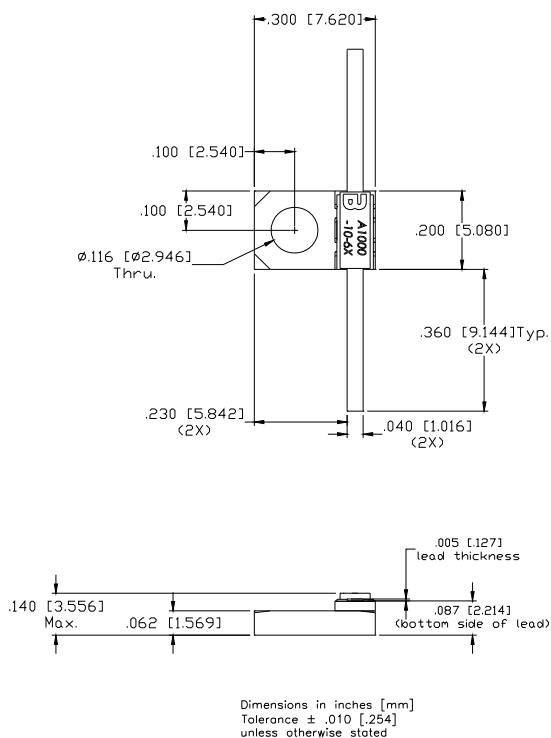
FLANGED ATTENUATOR

Features:

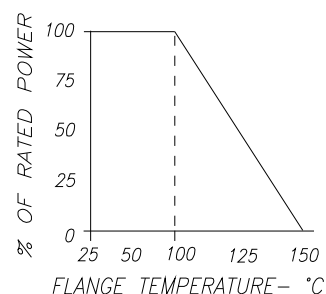
- ◆ BeO Material
- ◆ DC - 4 GHz Performance
- ◆ 10 Watt Input Power
- ◆ Flange Mount

General Description:

The A1000-10-6X is a flanged 10 dB, BeO attenuator. It has an input power of 10 watts, while maintaining a constant flange temperature of 100°C. It offers a frequency range from DC to 4 GHz.



DERATING CURVE:



Parameter	Min.	Typ.	Max.	Units
Frequency Range	DC		4	GHz
Input Power			10	Watts
Input / Output Return Loss	20			
Flange Temperature			100	°C
Attenuation	9	10	11	dB

Barry Industries reserves the right to change part number and or process without notification.

Barry Industries, Inc., 60 Walton St., Attleboro, MA 02703 T: 508-226-3350 F: 508-226-3317 E-mail: sales@barryind.com

Barry Industries maintains an ISO 9001 Certified Quality Management System

Origination Date	Revision Date	Rev.
01/05/11	01/05/11	-