



WWW.BARRYIND.COM

A0250-50-5X



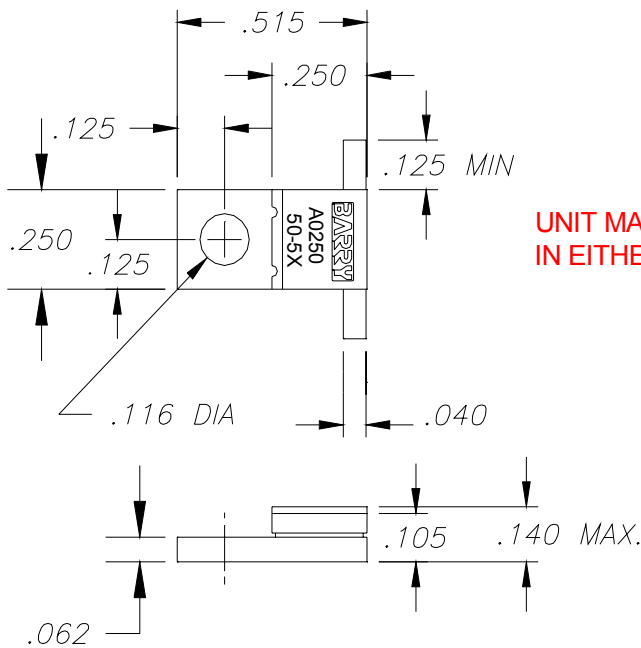
BeO 2.5 dB FLANGED ATTENUATOR

Features:

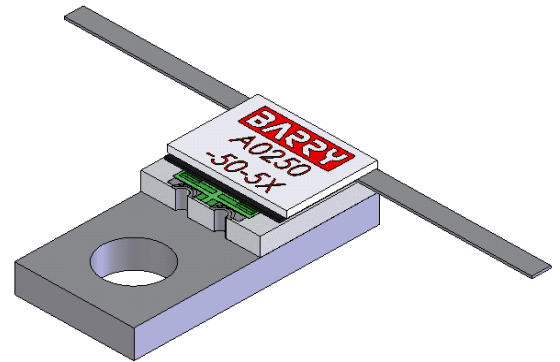
- ◆ BeO material
- ◆ 50 Watt power handling
- ◆ DC - 3 GHz
- ◆ Flange mount

General Description:

The A0250-50-5X is a BeO 2.5 dB leaded chip attenuator mounted onto a flange. It offers a power rating of 50 Watts max while maintaining a flange temperature of 100°C. It has a frequency range from DC - 3 GHz.

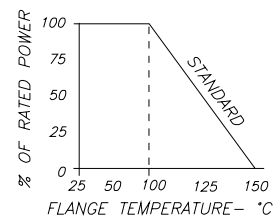


UNIT MAY BE MOUNTED IN EITHER DIRECTION



Dimension Tolerance $\pm .010$

DERATING CURVE:



Parameter	Min.	Typ.	Max.	Units
Frequency Range	DC		3	GHz
Input Return Loss	17			dB
Output Return Loss	17			dB
Attenuation	2	2.5	3	dB
Power			50	Watts
Flange Temperature			100	°C

* Barry Industries reserves the right to change part number and or process without notification

Barry Industries, Inc., 60 Walton St., Attleboro, MA 02703 T: 508-226-3350 F: 508-226-3317 E-mail: sales@barryind.com

Barry Industries maintains an ISO 9001 Certified Quality Management System

Origination Date	Revision Date	Rev.
09/11/06	09/18/07	A