

## ALUMINUM NITRIDE

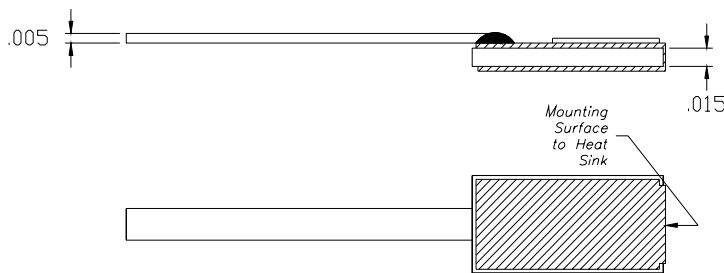
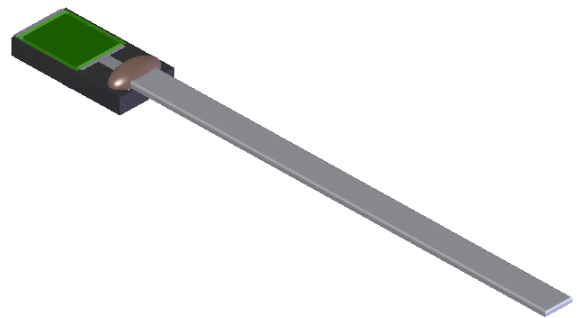
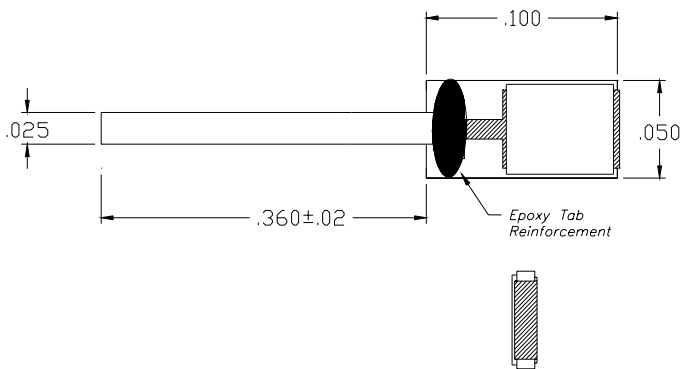
## TERMINATION

### Features:

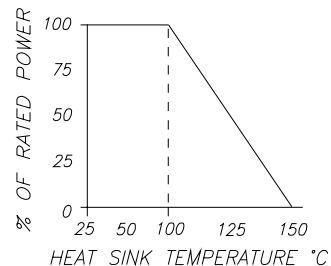
- ◆ AIN material
- ◆ DC-3 GHz performance
- ◆ 10 Watt input power
- ◆ Solder mountable

### General Description:

The A01Z-50R0J2Q-01A36-Y is a 50 ohm Aluminum Nitride leaded termination with an input power of 10 Watts while maintaining a heat sink temperature of 100°C, and a frequency range from DC - 3 GHz.



DERATING CURVE:



Parameter	Min.	Typ.	Max.	Units
Frequency Range	DC		3	GHz
Input Return Loss	23			dB
Resistance	47.5	50	52.5	Ohms
Input Power			10	Watts
Heat Sink Temperature			100	°C

\* Barry Industries reserves the right to change part number and or process without notification

Barry Industries, Inc., 60 Walton St., Attleboro, MA 02703 T: 508-226-3350 F: 508-226-3317 E-mail: sales@barryind.com

Barry Industries maintains an ISO 9001 Certified Quality Management System

Origination Date	Revision Date	Rev.
7/26/07	7/26/07	-