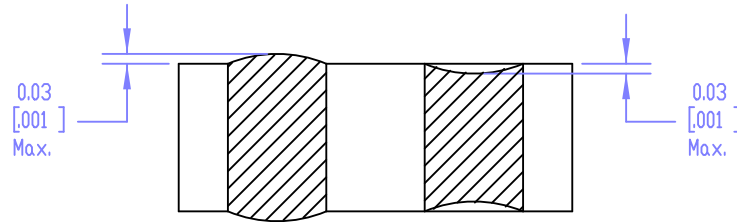
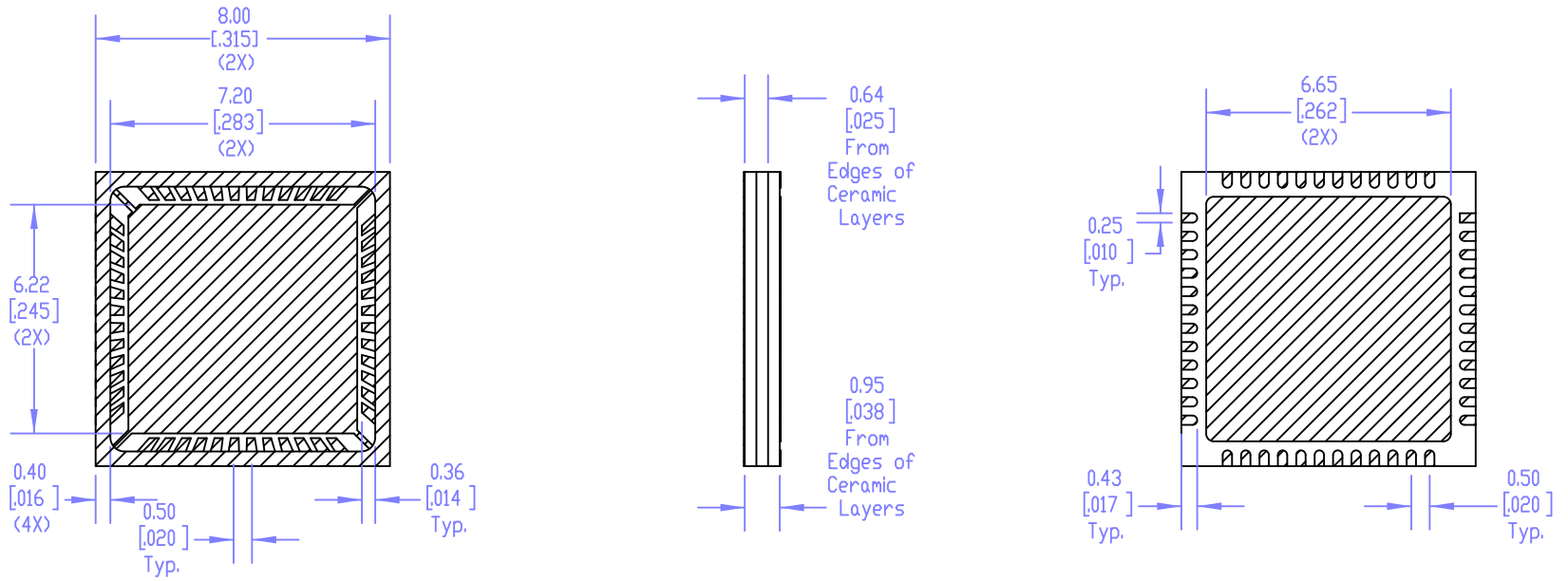
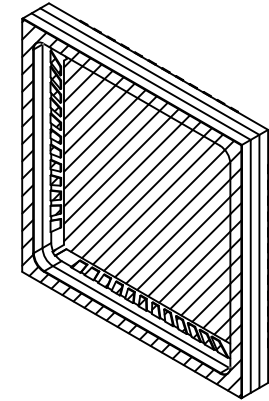


Revisions	ECO #	
	Approved	
	Date	
	Description	
Rev		



Via Planarity (not to scale)



Drawn R. HUOT	Date NOV 10 2016	UNLESS OTHERWISE SPECIFIED: DIMENSIONS ARE IN MILLIMETERS.		BARRY	Title 8mm - 48 Pin QFN - Grounded Seal Ring	
Engineering	Date	TOLERANCES ON DECIMALS	ON ANGLES		60 WALTON ST. ATTLEBORO, MA. 02703 (508) 226-3350 www.barryind.com	Drawing No. QFN-8848-0521
Q.A.	Date	.X ± .25	± .5°	Scale 5:1		
Manufacturing	Date	.XX ± .10			Material Alumina	Drawing Size A
Released	Date	.XXX ± .050		Finish		
		.XXXX ± .0100				