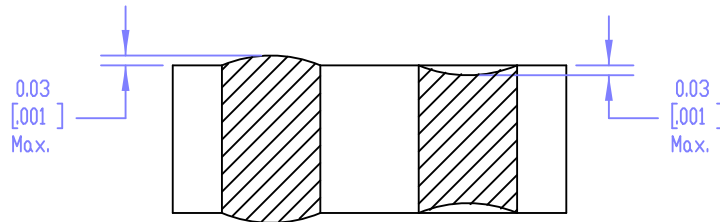
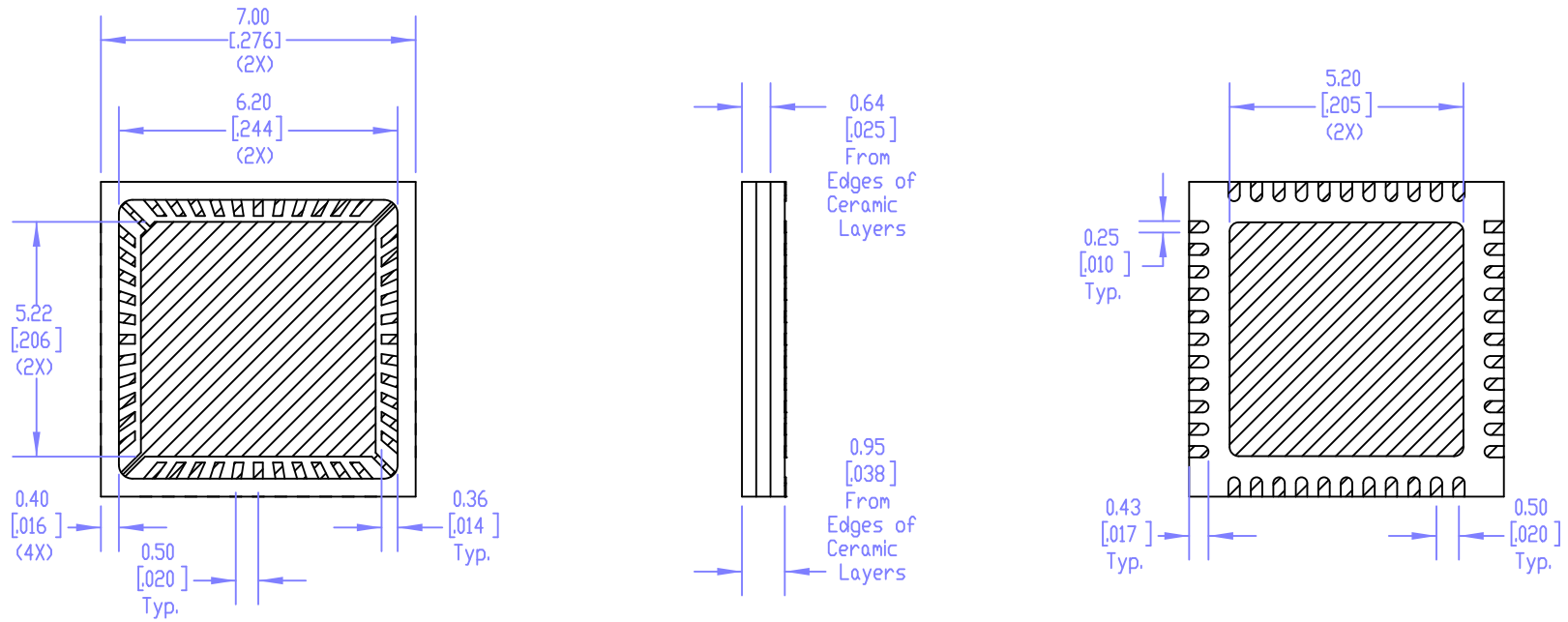
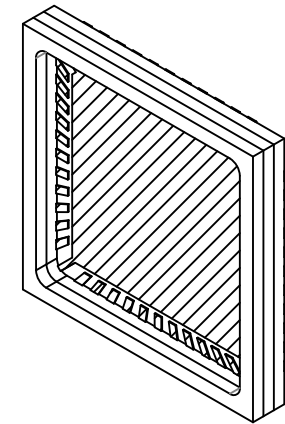


Revisions	ECO #	
	Approved	
	Date	
	Description	
Rev		



Via Planarity (not to scale)



Drawn R.HUOT	Date NOV 10 2016	UNLESS OTHERWISE SPECIFIED: DIMENSIONS ARE IN MILLIMETERS.		BARRY 60 WALTON ST. ATTLEBORO, MA. 02703 (508) 226-3350 www.barryind.com	Title 7mm - 44 Pin QFN - Bare Seal Ring	
Engineering	Date	TOLERANCES ON DECIMALS	ON ANGLES		Drawing No. QFN-7744-0520	Revision B
Q.A.	Date	.X ± .25	± .5°	Scale 6:1 Drawing Size A	Used On	Qty.
Manufacturing	Date	.XX ± .10				
Released	Date	.XXX ± .050				
		.XXXX ± .0100	Material Alumina	CODE IDENT NO. 6P825		
			Finish			Sheet 1 of 1