

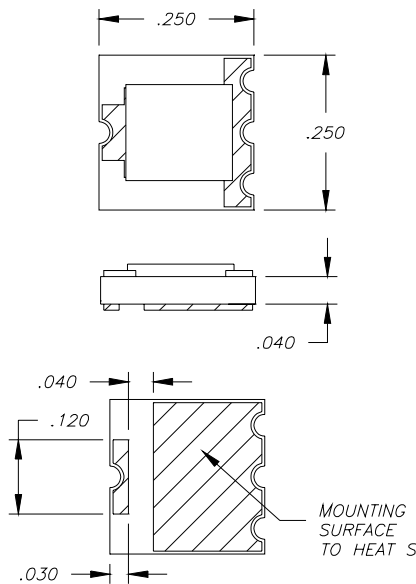
BeO SURFACE MOUNT TERMINATION

Features:

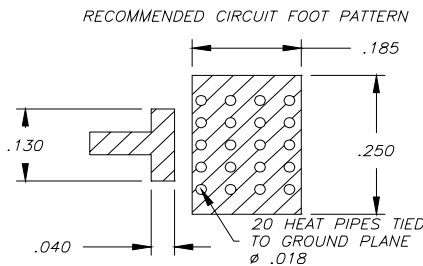
- ◆ BeO Material
- ◆ DC- 2 GHz performance
- ◆ 40 Watt Input Power
- ◆ Surface mountable
- ◆ CT=Matte Tin over Nickel over Silver

General Description:

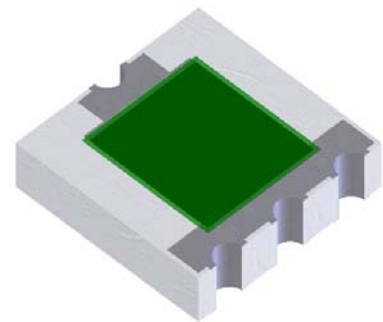
The TZC2525CT-50R0JN-99 is a 50 ohm, BeO surface mountable termination. It has an input power of 40 watts, while maintaining a constant mounting surface temperature of 100 °C. It offers a frequency range from DC - 2 GHz.



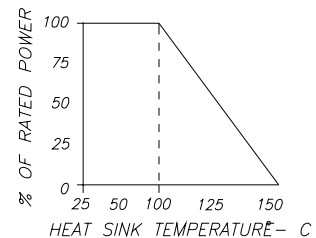
Dimensions in inches
Tolerance $\pm .010$
unless otherwise stated



Dimensions in inches
Tolerance $\pm .010$ unless
otherwise stated



DERATING CURVE:



Parameter	Min.	Typ.	Max.	Units
Frequency Range	DC		2	GHz
Return Loss	15	20		dB
Input Power			40	Watts
Resistance	47.5	50	52.5	Ohms
Mounting Surface Temperature			100	°C

Barry Industries reserves the right to change part number and or process without notification.

Barry Industries, Inc., 60 Walton St., Attleboro, MA 02703 T: 508-226-3350 F: 508-226-3317 E-mail: sales@barryind.com

Barry Industries maintains an ISO 9001 Certified Quality Management System