



TVC2525CB-50R0JN-99

WWW.BARRYIND.COM

BeO

50 Ohm

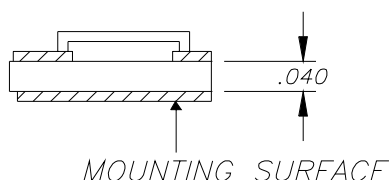
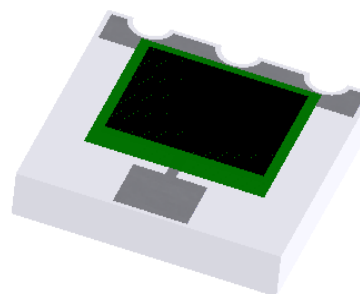
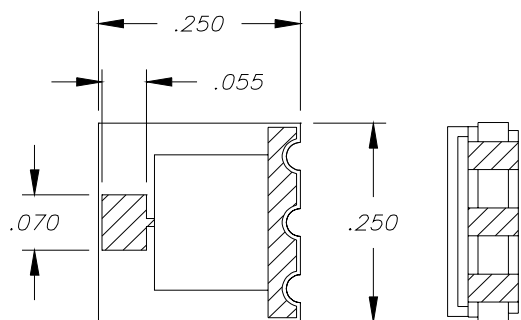
CHIP TERMINATION

Features:

- ◆ BeO Material
- ◆ DC - 8.4 GHz Performance
- ◆ 100 Watt Input Power
- ◆ Solder Mountable

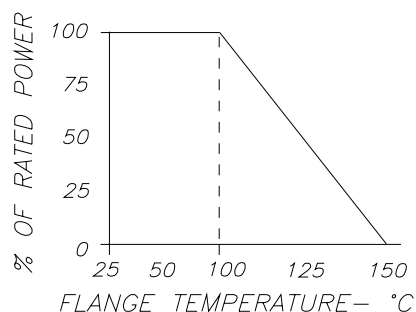
General Description:

The TVC2525CB-50R0JN-99 is a 50 Ohm BeO chip termination capable of an input power of 100 Watts while maintaining a constant 100°C mounting surface temperature. It offers an excellent frequency range from DC to 8.4 GHz.



Dimensions in inches
Tolerance $\pm .010$
unless otherwise stated

DERATING CURVE:



Parameter	Min.	Typ.	Max.	Units
Frequency Range	DC		8.4	GHz
Input Return Loss	20.8			dB
	12.7			dB
Input Power			100	Watts
Resistance	47.5	50.	52.5	Phms
Mounting Surface Temperature			100	°C

Barry Industries reserves the right to change part number and or process without notification

Barry Industries, Inc., 60 Walton St., Attleboro, MA 02703 T: 508-226-3350 F: 508-226-3317 E-mail: sales@barryind.com
Barry Industries maintains an ISO 9001 Certified Quality Management System

Origination Date	Revision Date	Rev.
05/11/06	01/28/08	B