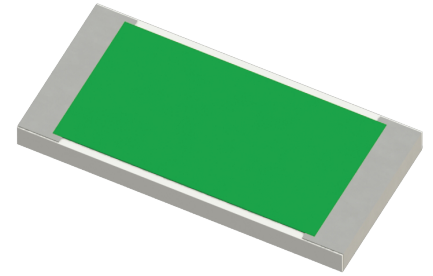


### RP2010ZZ-XXXXJN-91 Features:

- Wraparound Terminals
- Solder Attachment
- Customer Defined Testing Available
- RoHS Compliant Available
- Tape & Reel or Waffle Pack Available (Standard is bulk)
- 5% Resistor Tolerance

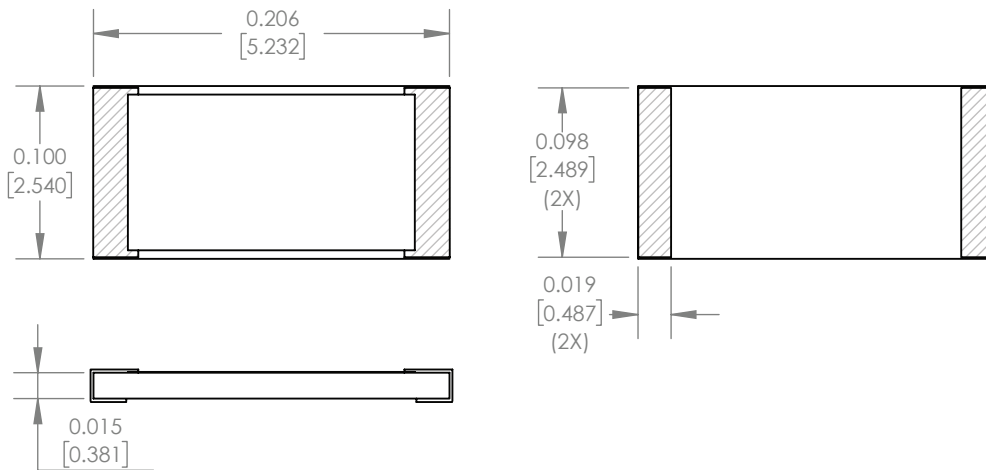


### RP2010ZZ-XXXXJN-91 Parameters:

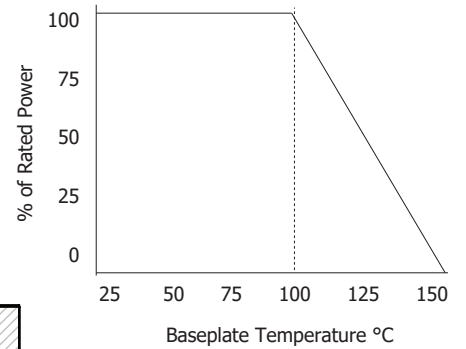
|                        |  |
|------------------------|--|
| Resistance Range:      | 0.5Ω - 1MΩ                                   |
| Rated Power:           | 8W*  |
| Construction:          | Thick Film on Al <sub>2</sub> O <sub>3</sub> |
| Operating Temperature: | -55 to +150°C                                |

\* Rating based on ≤100°C constant baseplate temperature

### RP2010ZZ-XXXXJN-91 Dimensions:



### RP2010ZZ-XXXXJN-91 Power Derating Curve



Dimensions in inches [mm]  
 Tolerance is ± 0.005 [0.127]  
 unless otherwise stated

### Ordering Information:

|   |             |  |          |   |                     |   |          |   |   |
|---|-------------|--|----------|---|---------------------|---|----------|---|---|
| <b>RP</b>                                   | <b>2010</b> | <b>ZZ</b>  | <b>-</b> | <b>XXXX</b>                               | <b>J</b>            | <b>N</b>  | <b>-</b> | <b>91</b>   | <b>UU</b>   |
| Prefix for Wraparound Resistor              | Size 2010   | Value Code Examples<br>10R0 - 10Ω<br>1000 - 100Ω<br>1001 - 1KΩ |          | 1002 - 10KΩ<br>1003 - 100KΩ<br>1004 - 1MΩ | Tolerance<br>J - 5% | Normal Inspection<br>Contact factory for additional options |          | Substrate<br>91 - 0.015" Al <sub>2</sub> O <sub>3</sub> | Packaging<br>Blank - Bulk<br>TR - Tape and Reel<br>WP - Waffle Pack |
| Terminal Metallization                      |             |  | RoHS     | Magnetic                                  | Solder              | Epoxy   | Wirebond |   |   |
| CB - Sn62 over Nickel over Silver           |             |  | No       | Yes                                       | Yes                 | No  | No       |   |   |
| CC - 100% Matte Tin over Copper over Silver |             |  | Yes      | No  | Yes                 | No  | No       |   |   |
| CT - 100% Matte Tin over Nickel over Silver |             |  | Yes      | Yes                                       | Yes                 | No  | No       |   |   |

Barry Industries reserves the right to change part number and/or process without notification.

**RP2010ZZ-XXXXJN-91 Reliability Specifications:**

| Parameter:                     | Test Condition:   | Results:   |
|--------------------------------|---|--|
| Short Time Overload            | Apply 1.1x Rated Power for 5 Seconds.   | ≤ 5.0% Resistance Shift  |
| Rated Load Life                | Apply 1/2 Power Under 40°C ±2°C<br>90 Minutes on/ 30 Minutes off.<br>Repeat for 100 hours | ≤ 5.0% Resistance Shift  |
| Moisture Resistance            | MIL-PRF-55342 para 4.8.9<br>95% RH, 25°C - 65°C   | ≤ 5.0% Resistance Shift  |
| Resistance to Soldering Heat   | MIL-STD-202 Method 210<br>and MIL-PRF-55342 Para 4.8.8.1                                  | ≤ 5.0% Resistance Shift  |
| Resistance to Bonding Exposure | MIL-PRF-55342 Para 4.8.8.2  | ≤ 5.0% Resistance Shift  |
| Solderability                  | MIL-PRF-55342 Para 4.8.12   | >95% Covered   |
| High Temperature Storage       | 125°C ±2°C for 500 Hours  | 1.) ≤ 5.0% Resistance Shift<br>2.) No Significant Abnormality (Visual) |
| Thermal Shock                  | -65°C to +150°C<br>30 Minutes Dwell, 5 Cycles   | 1.) ≤ 5.0% Resistance Shift<br>2.) No Significant Abnormality (Visual) |

Barry Industries reserves the right to change part number and/or process without notification.