



WWW.BARRYIND.COM

RZC1206CT-XXXXJN-2S



Aluminum Nitride

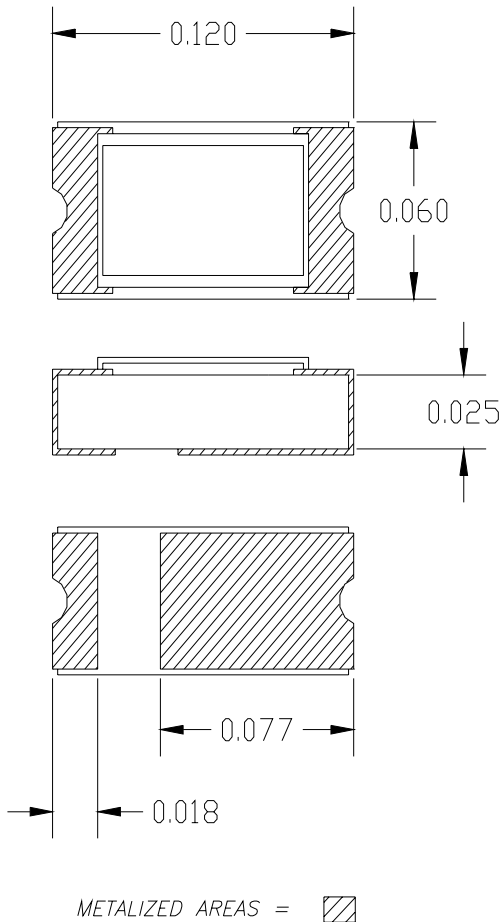
SURFACE MOUNT RESISTOR

Features:

- ◆ AIN Material
- ◆ Surface Mount
- ◆ CT - Matte Tin over Nickel over Silver
- ◆ 10 Watt Power Handling

General Description:

The RZC1206CT-XXXX*JN-2S is a 50 Ohm standard (.5 - 1 Megohm available) surface mountable high power chip resistor ideal for small assemblies. It offers a power rating of 10 Watts.



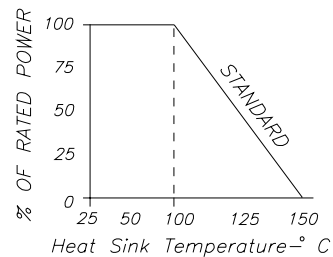
* XXXX = Resistance Value in Ohms

Ohms

- 0.5...R500
- 11R00
- 10.....10R0
- 50.....50R0
- 100...1000
- 150...1500
- 1K.....1001
- 10K...1002
- 100K.1003
- 470K.4703
- 1M....1004

Sample part number:
RZC1206CT-50R0JN-2S

DERATING CURVE:



Parameter	Min.	Typ.	Max.	Units
Power Dissipation			10	WATTS
Heat Sink Temperature			100	°C

Barry Industries reserves the right to change part number and or process without notification.

Barry Industries, Inc., 60 Walton St., Attleboro, MA 02703 T: 508-226-3350 F: 508-226-3317 E-mail: sales@barryind.com

Barry Industries maintains an ISO 9001 Certified Quality Management System

Date	Rev.
04/13/04	A