

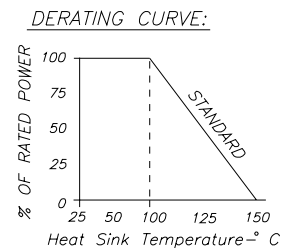
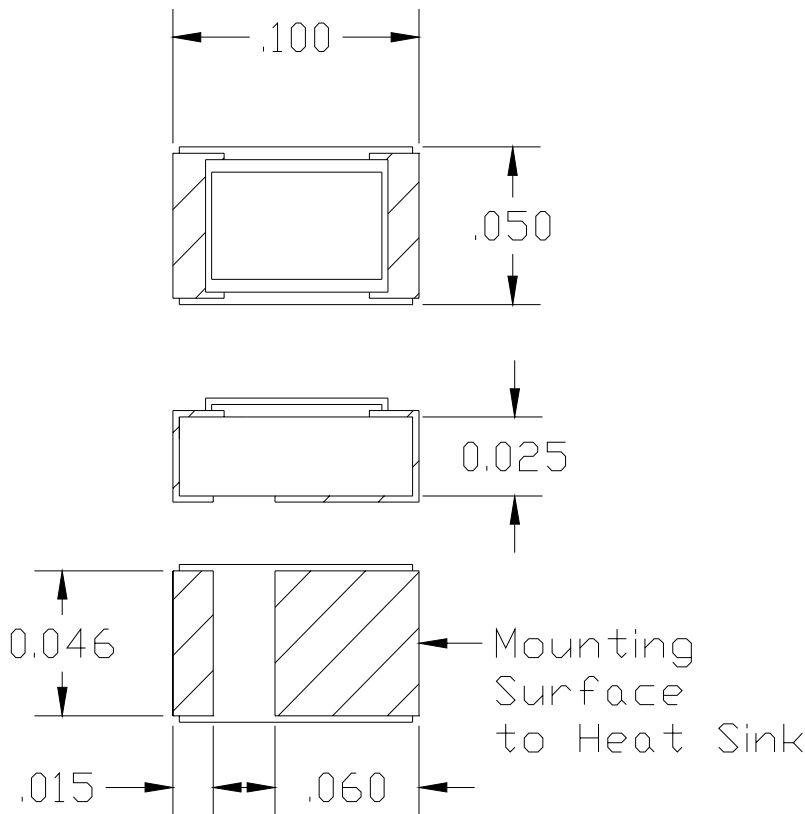
Aluminum Nitride SURFACE MOUNT RESISTOR

Features:

- ◆ AIN Material
- ◆ 8 Watt power rating
- ◆ Surface Mount
- ◆ CT - Matte Tin over Nickel over Silver

General Description:

The RZ1005CT-50R0JN-2S is a 50 Ohm surface mount resistor. Its compact design is ideal for miniature electronic assemblies. Other resistance values also available. Please contact the factory.



Parameter	Min.	Typ.	Max.	Units
Power Dissipation			8	WATTS
Heat Sink Temperature			100	°C

Barry Industries reserves the right to change part number and or process without notification.