



WWW.BARRYIND.COM

RYC2525CT-12R5JN-2T



Aluminum Nitride

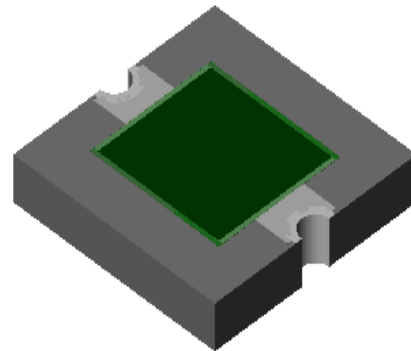
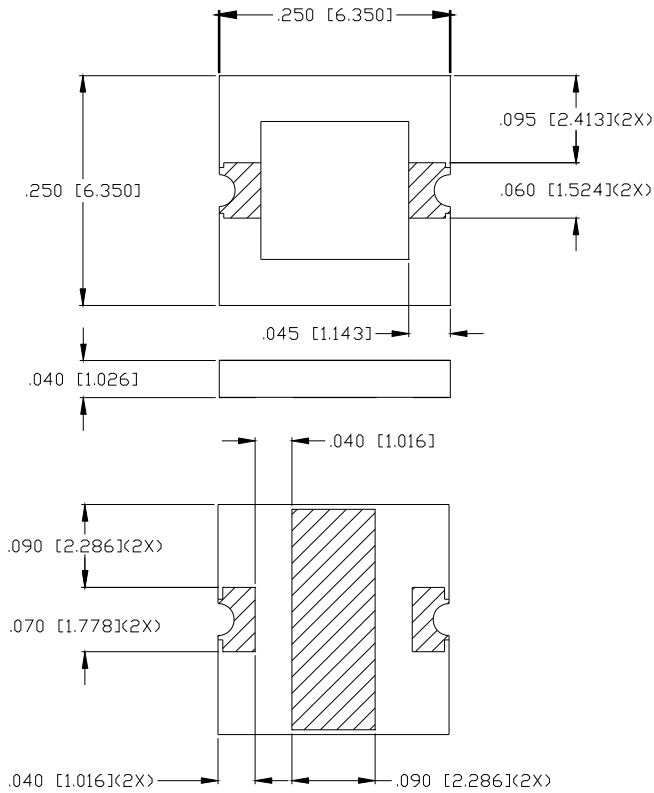
POWER CHIP RESISTOR

Features:

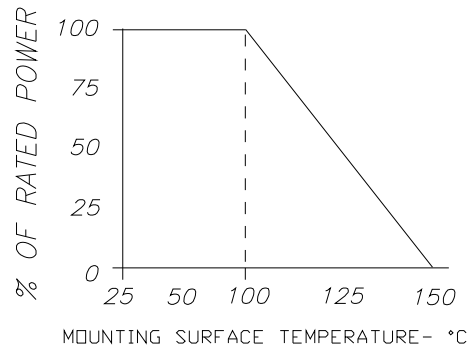
- ◆ Aluminum Nitride Material
- ◆ 40 Watt Input Power
- ◆ CT - Matte Tin over Nickel over Silver
- ◆ Surface Mountable

General Description:

The RYC2525CT-12R5JN-2T is a 12.5 ohm surface mountable power chip resistor. It has an input power rating of 40 watts, while maintaining a constant mounting surface temperature of 100°C.



DERATING CURVE:



Dimensions in inches [mm]
Tolerance ± .005 [.127]
unless otherwise stated

Parameter	Min.	Typ.	Max.	Units
Resistance	11.88	12.5	13.13	Ohms
Input Power			40	Watts
Mounting Surface Temperature			100	°C

Barry Industries reserves the right to change part number and or process without notification.

Barry Industries, Inc., 60 Walton St., Attleboro, MA 02703 T: 508-226-3350 F: 508-226-3317 E-mail: sales@barryind.com

Barry Industries maintains an ISO 9001 Certified Quality Management System

Origination Date	Revision Date	Rev.
03/31/10	03/31/10	-