



RP1505CB-XXXXKN-91

WWW.BARRYIND.COM

Alumina

CHIP RESISTOR

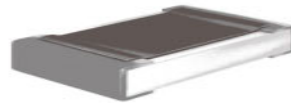
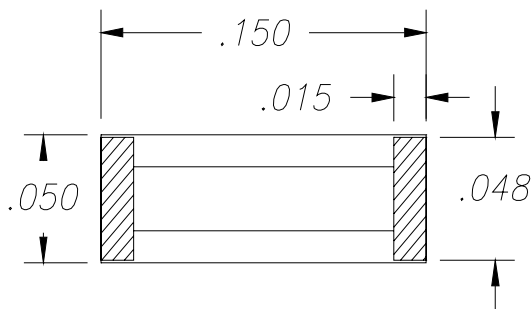
Features:

- ◆ Alumina
- ◆ .75 Watts
- ◆ CB - Tin Lead over Nickel over Silver

General Description:

The RP1505CB-XXXX*KN-91 is a 50 Ohm standard solder mountable wrap around style chip resistor (.5 - 1Mohm available). Its compact size is ideal for miniature electronic components.

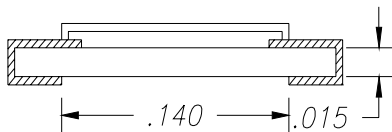
See below for ordering options



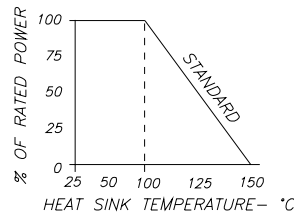
XXXX

Ohms

- 0.5....R500
- 1.....1R00
- 10....10R0
- 50....50R0
- 100...1000
- 150...1500
- 1K....1001
- 10K...1002
- 100K.1003
- 470K.4703
- 1M....1004



DERATING CURVE:



Parameter	Min.	Typ.	Max.	Units
Input Power			.75	Watts
Resistance tolerance		+/- 10%		Ohms
Mounting Surface Temperature			100	°C

* Barry Industries reserves the right to change part number and or process without notification

Barry Industries, Inc., 60 Walton St., Attleboro, MA 02703 T: 508-226-3350 F: 508-226-3317 E-mail: sales@barryind.com

Barry Industries maintains an ISO 9001 Certified Quality Management System

Origination Date	Revision Date	Rev.
11/09/06	11/09/06	-