



WWW.BARRYIND.COM

RK0505ZZ-XXXXWN-YY*

BeO or Alumina

1/4 WRAP CHIP RESISTOR

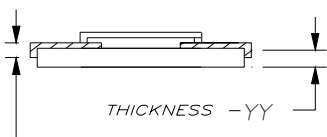
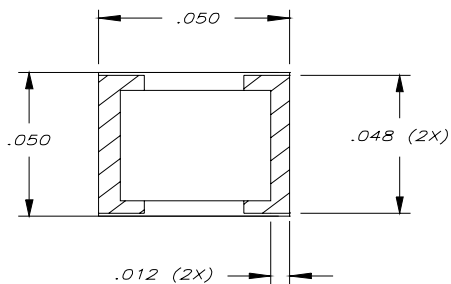
Features:

- ◆ BeO or Alumina material
- ◆ 1/4 Wrap
- ◆ Available in .5 ohm to 1 mohm

General Description:

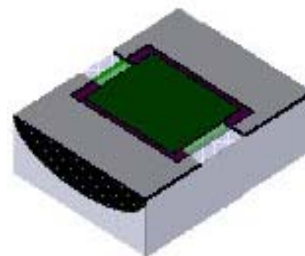
The RK0505ZZ-XXXXWN-YY* series is a quarter wrap style chip resistor. It offers a small package design available in BeO or Alumina material.

* See below for ordering options.

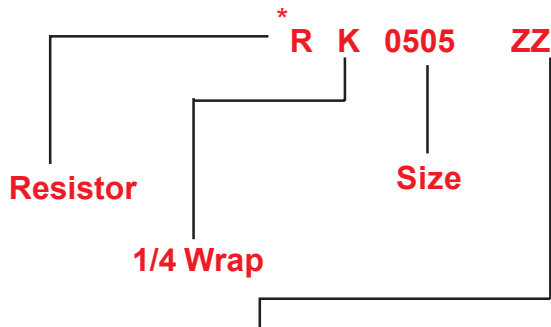
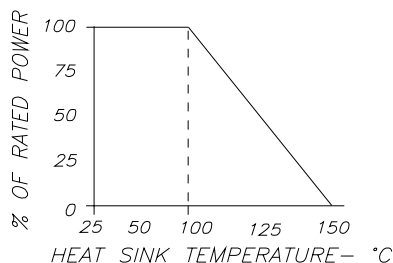


Half Thickness of material minimum

- All Dimensions in inches
- Tolerance $\pm .005$
- Full part number (RK0505ZZ-XXXXWN-YY)
- Example part number (RK0505CT-50R0JN-91)
- Dimensions apply before tinning



DERATING CURVE:



Ohms

0.5	R500
1	1R00
10	10R0
50	50R0
100	1000
150	1500
1K	1001
10K	1002
100K	1003
470K	4703
1M	1004

(N)ormal Inspection

Thickness and Material

Termination Material and Finish

- BA** - available on Alumina:
Palladium Silver, Epoxy Mount, **RoHS Compliant**
- CB** - available on Alumina & BeO:
Tin Lead over Nickel over Silver, Solder Mount, NOT RoHS
- CT** - available on Alumina & BeO:
Matte Tin over Nickel over Silver, Solder Mount, **RoHS Compliant**
- GA** - available on Alumina:
Gold, Epoxy Mount, Wire Bond, **RoHS Compliant**
- JA** - available on BeO:
Gold over Platinum Gold, Epoxy Mount, Wire Bond, **RoHS Compliant**

Tolerance

- F - 1%
- G - 2%
- J - 5%
- K - 10%
- L - 20%
- X = Special

-91	.015" Alumina	150 mWatts
-93	.025" Alumina	150 mWatts
-96	.015 BeO	1 Watt
-98	.025 Beo	1 Watt

Barry Industries reserves the right to change part number and or process without notification

Barry Industries, Inc., 60 Walton St., Attleboro, MA 02703 T: 508-226-3350 F: 508-226-3317 E-mail: sales@barryind.com

Barry Industries maintains an ISO 9001 Certified Quality Management System

Origination Date	Revision Date	Rev.
11/02/07	12/10/07	A