



WWW.BARRYIND.COM

# K04Z-XXXX\*G99-02C36-X



## BeO

## LEADED RESISTOR

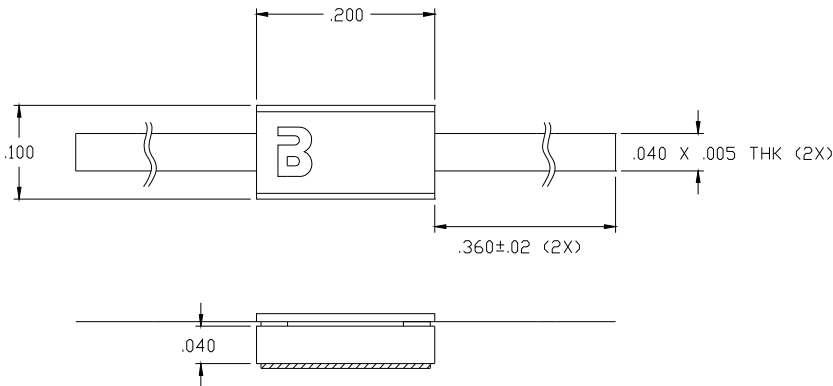
### Features:

- ◆ BeO Material
- ◆ 40 Watt Input Power
- ◆ Solder Mountable

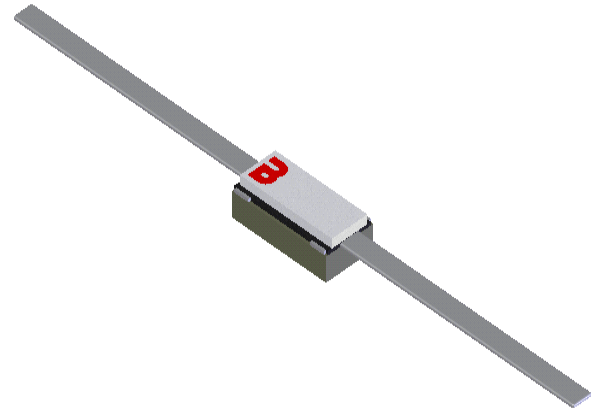
### General Description:

The K04Z-XXXX\*G99-02C36-X is a leaded BeO resistor. It offers an input power of 40 watts, while maintaining a constant heat sink temperature of 100°C.

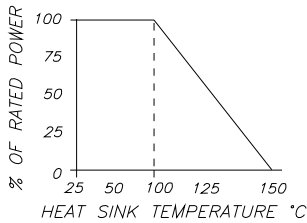
See below for ordering options.



Dimensions in inches  
Tolerance ± .010  
unless otherwise specified



DERATING CURVE:



- \* XXXX  
Ohms
- 0.5 .... R 5 0 0
  - 1 ..... 1 R 0 0
  - 10 ..... 1 0 R 0
  - 50 ..... 5 0 R 0
  - 100 ... 1 0 0 0
  - 150 ... 1 5 0 0
  - 1 K ..... 1 0 0 1

Sample Part Number:  
K04Z-50R0G99-02C36-X  
(50 Ohms)

Parameter	Min.	Typ.	Max.	Units
Input Power			40	Watts
Resistance		+/- 2%		Ohms
Mounting Surface Temperature			100	°C

Barry Industries reserves the right to change part number and or process without notification.

Barry Industries, Inc., 60 Walton St., Attleboro, MA 02703 T: 508-226-3350 F: 508-226-3317 E-mail: sales@barryind.com

Barry Industries maintains an ISO 9001 Certified Quality Management System

Origination Date	Revision Date	Rev.
10/26/07	01/05/09	A