



WWW.BARRYIND.COM

H05Z-0500J2T-04C36-X



ALUMINUM NITRIDE

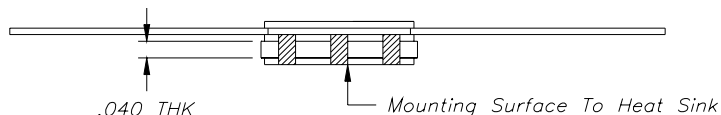
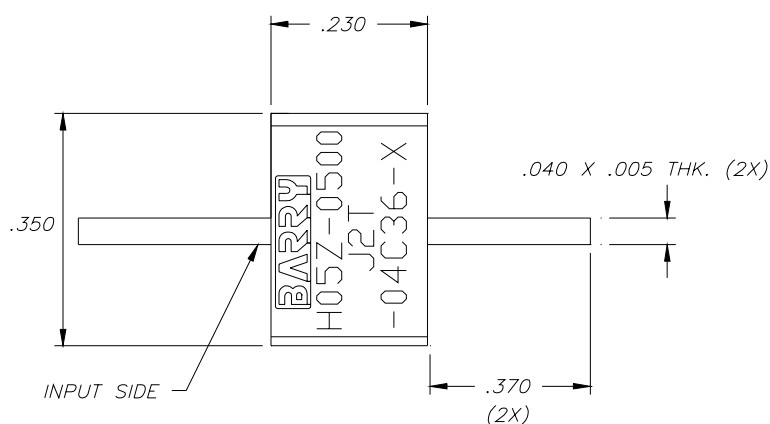
ATTENUATOR

Features:

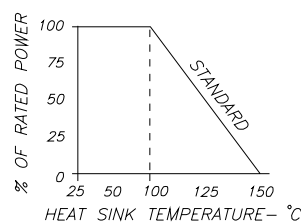
- ◆ **ALN material**
- ◆ **100 Watt Power Rating**
- ◆ **Solder Mount**

General Description:

The H05Z-0500J2T-04C36-X is a 5 dB leaded Aluminum Nitride chip attenuator with a frequency range from DC - 2.0 GHz and a power handling of 100 Watts while maintaining a heat sink temperature of 100°C max.



DERATING CURVE:



Parameter	Min.	Typ.	Max.	Units
Frequency Range	DC		2.0	GHz
Attenuation	4	5	6	dB
Input Return Loss	17			dB
Output Return Loss	17			dB
Power Dissipation (input)			100	WATTS
Reverse Power (output)			2	WATTS
Heat Sink Temperature			100	°C

* Barry Industries reserves the right to change part number and or process without notification

Barry Industries, Inc., 60 Walton St., Attleboro, MA 02703 T: 508-226-3350 F: 508-226-3317 E-mail: sales@barryind.com

Barry is ISO 9001:2000 Certified by



Origination Date	Revision Date	Rev.
08/22/06	08/22/06	-