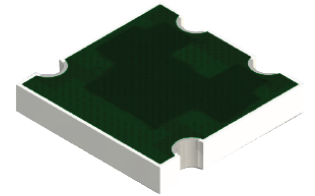


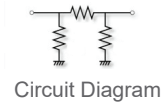
### ATC2525CT-3000JN-94 Features:

- PI Configuration
- RoHS Compliant
- Solderable Terminals
- Customer Defined Testing Available
- Symmetrical Design
- Tape & Reel or Waffle Pack Available (Standard is bulk)

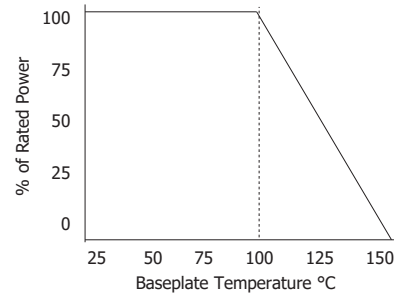


### ATC2525CT-3000JN-94 Parameters:

|  |   |
|--|---|
| Nominal Attenuation:   | 30dB  |
| Operating Frequency*:  | DC - 2.5GHz   |
| Attenuation Tolerance*:  | 28.5dB Min., 30.5dB Max. (DC - 0.5GHz)<br>26dB Min., 30.5dB Max. (>0.5 - 1.25GHz) |
| Input Power**:   | 2.5W  |
| VSWR Max.*:  | 1.2 (DC - 1GHz)<br>1.4 (>1 - 1.5GHz)<br>1.6 (>1.5 - 2GHz)<br>1.85 (>2 - 2.5GHz)   |
| Impedance:   | 50Ω (47.5Ω Min., 52.5Ω Max.)  |
| Construction:  | Thick Film on Alumina   |
| Operating Temperature:   | -55 to +150°C   |
| 56°C/Watt mounting pad to film thermal resistance with 250°C max. film temperature |   |

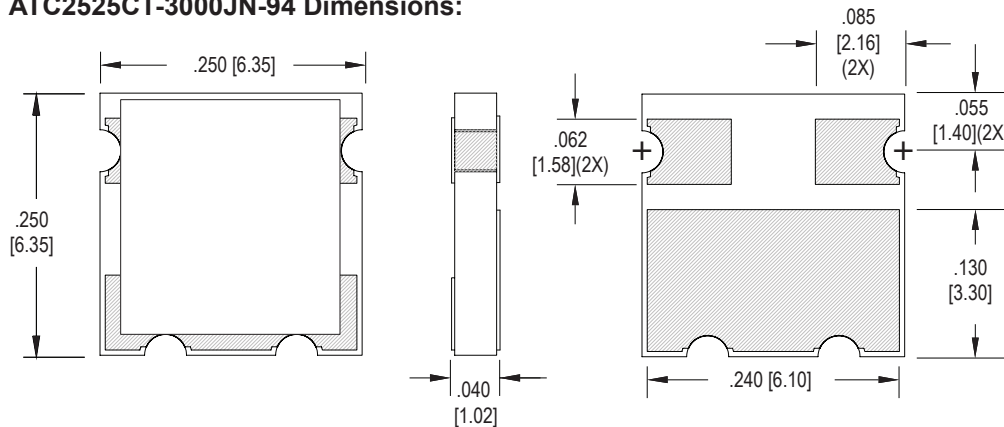


### ATC2525CT-3000JN-94 Power Derating Curve



Can be mounted in either direction  
 \* Applies to 12 mil (0.3048 mm) Rogers 4003(Er=3.55). See next page for other circuit boards.  
 \*\* Rating based on ≤100°C constant mounting pad temperature

### ATC2525CT-3000JN-94 Dimensions:



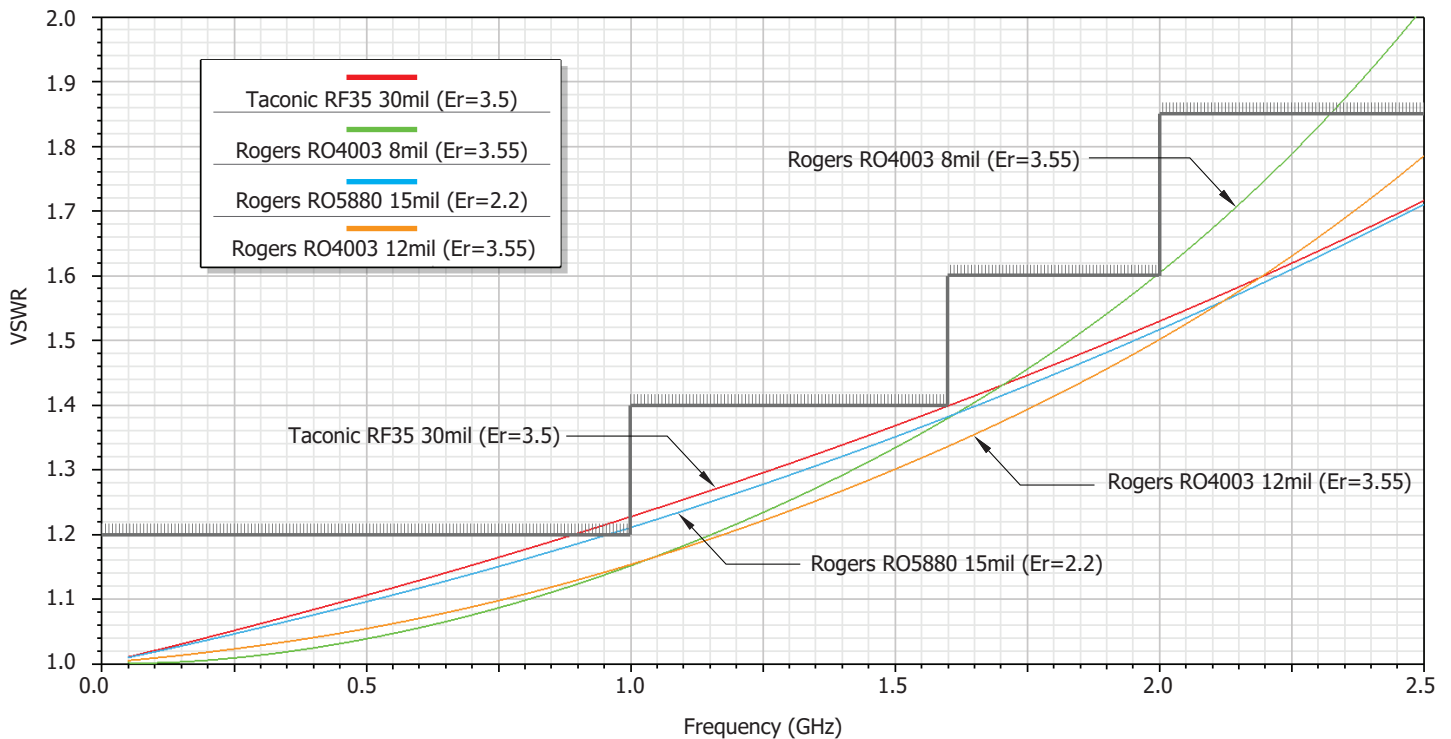
Dimensions in inches [mm]  
 Tolerance is ± 0.005 [0.13]  
 unless otherwise stated

### Ordering Information:

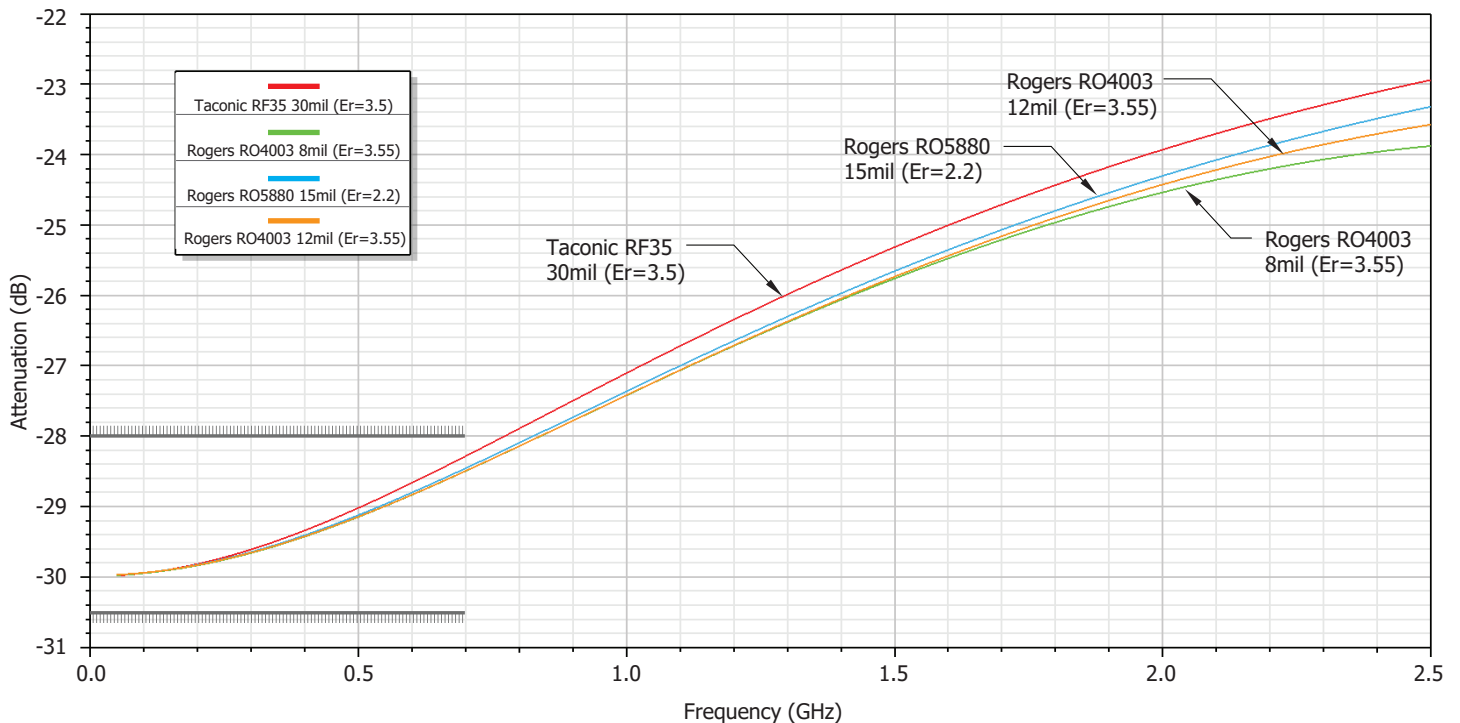
|   |           |          |        |                        |  |   |                               |  |
|---|-----------|----------|--------|------------------------|--|---|-------------------------------|--|
| ATC   | 2525      | CT       | -      | 3000                   | JN   | - | 94                            | UU   |
| Prefix for 3 Sided Wraparound Attenuator w/ Castellations | Size 2525 |          |        | Value Code 3000 - 30dB | Normal Inspection Contact factory for additional options |   | Substrate 94 - 0.040" Alumina | Packaging Blank - Bulk TR - Tape and Reel WP - Waffle Pack |
| Terminal Metallization                                    | RoHS      | Magnetic | Solder | Epoxy                  | Wirebond   |   |                               |  |
| CT - 100% Matte Tin over Nickel over Silver               | Yes       | Yes      | Yes    | No                     | No   |   |                               |  |

Barry Industries reserves the right to change part number and/or process without notification.

**ATC2525CT-3000JN-94 VSWR:**



**ATC2525CT-3000JN-94 Attenuation Accuracy:**



Barry Industries reserves the right to change part number and/or process without notification.

## ATC2525CT-3000JN-94 Reliability Specifications:

| Parameter:                   | Test Condition:   | Results:  |
|------------------------------|---|---|
| Short Time Overload          | Apply 1.1x Rated Power for 5 Seconds.   | ≤ 5.0% Resistance Shift   |
| Rated Load Life              | Apply 1/2 Power Under 40°C ±2°C<br>90 Minutes on/ 30 Minutes off.<br>Repeat for 100 hours | ≤ 5.0% Resistance Shift   |
| Moisture Resistance          | MIL-PRF-55342 para 4.8.9<br>95% RH, 25°C - 65°C   | ≤ 5.0% Resistance Shift   |
| Resistance to Soldering Heat | MIL-STD-202 Method 210<br>and MIL-PRF-55342 Para 4.8.8.1                                  | ≤ 5.0% Resistance Shift   |
| Solderability                | MIL-PRF-55342 Para 4.8.12   | >95% Covered  |
| High Temperature Storage     | 125°C ±2°C for 500 Hours  | 1.) ≤ 5.0% Resistance Shift<br>2.) No Significant Abnormality<br>(Visual) |
| Thermal Shock                | -65°C to +150°C<br>30 Minutes Dwell, 5 Cycles   | 1.) ≤ 5.0% Resistance Shift<br>2.) No Significant Abnormality<br>(Visual) |

Barry Industries reserves the right to change part number and/or process without notification.