



WWW.BARRYIND.COM

# AVC3725CT-2000JN-2T-09



## ALUMINUM NITRIDE

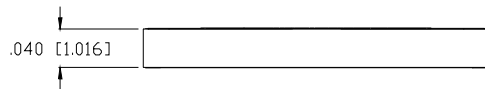
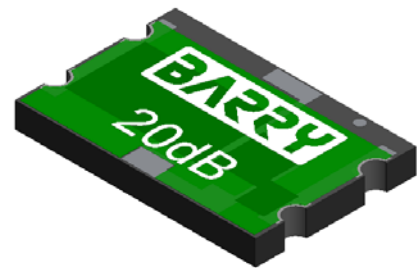
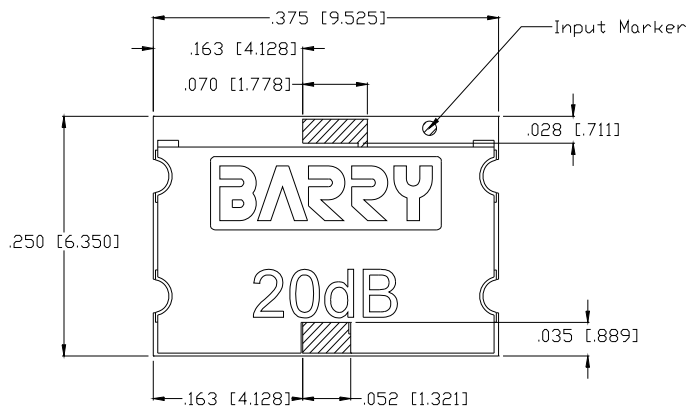
## 20dB CHIP ATTENUATOR

### Features:

- ◆ Aluminum Nitride Material
- ◆ DC - 2.6 GHz Performance
- ◆ 150 Watt Input Power
- ◆ Solder Mountable

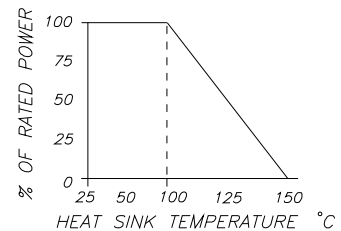
### General Description:

The AVC3725CT-2000JN-2T-09 is a 20 dB Aluminum Nitride chip attenuator. It has an input power rating of 150 watts, while maintaining a constant mounting surface temperature of 100°C. It offers a frequency range from DC to 2.6 GHz.



Dimensions in inches [mm]  
Tolerance  $\pm .010$  [.254]  
unless otherwise stated

DERATING CURVE:



Parameter	Min.	Typ.	Max.	Units
Frequency Range	DC		2.6	GHz
Attenuation	19	20	21	dB
Input Return Loss	25			dB
Output Return Loss	25			dB
Power (input)			150	Watts
Reverse Power (output)			2	Watts
Mounting Surface Temperature			100 150 (0% Power)	°C

Barry Industries reserves the right to change part number and or process without notification.

Barry Industries, Inc., 60 Walton St., Attleboro, MA 02703 T: 508-226-3350 F: 508-226-3317 E-mail: sales@barryind.com  
Barry maintains an ISO 9001 Certified Quality Management System

Origination Date	Revision Date	Rev.
07/02/12	07/02/12	-