



WWW.BARRYIND.COM

AVC2525CB-1000JN-99

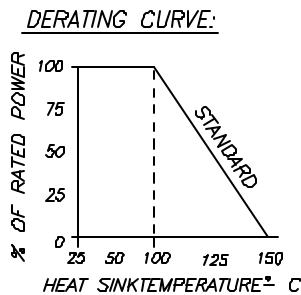
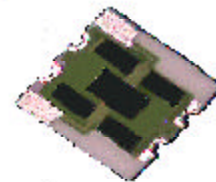
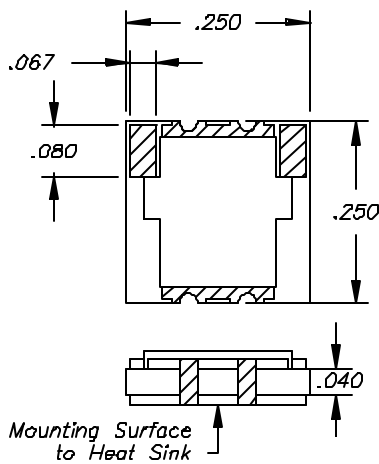
BeO 10 dB ATTENUATOR

Features:

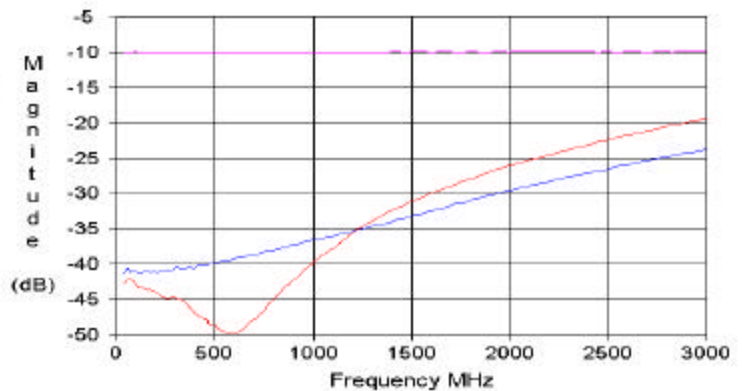
- ◆ BeO material
- ◆ DC to 3 GHz
- ◆ 40 Watt Power Rating
- ◆ Input and Output pads offset from center

General Description:

The AVC2525CB-1000JN-99 is a BeO 10 dB single slope attenuator with a frequency range up to 3 GHz. It has a power rating of 40 Watts while maintaining a heat sink temperature of 100°C and is solder mountable. This chip offers an input and output pad offset from center line of chip to allow for assembly on off center devices.



DB[S11]
DB[S21]
DB[S22]



Parameter	Min.	Typ.	Max	Units
Frequency Range	DC		3	GHz
Attenuation Flatness		±.5		dB
Input Return Loss	1.8			dB
Output Return Loss	1.8			dB
Power Dissipation			40	Watts
Heat Sink Temperature			100	°C

Barry Industries, Inc., 60 Walton St., Attleboro, MA 02703 T: 508-226-3350 F: 508-226-3317 E-mail: sales@barryind.com
Barry Industries maintains an ISO 9001 Certified Quality Management System

DATE	REV.
9/17/04	-