



WWW.BARRYIND.COM

ABC2010CT-3000GN-2T



Aluminum Nitride

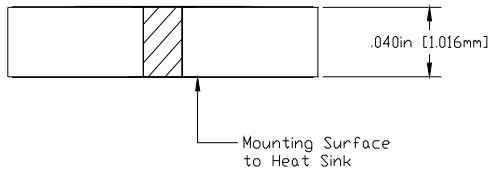
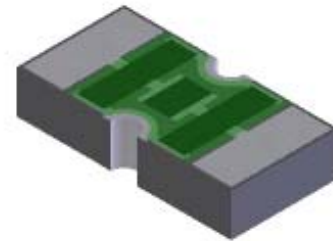
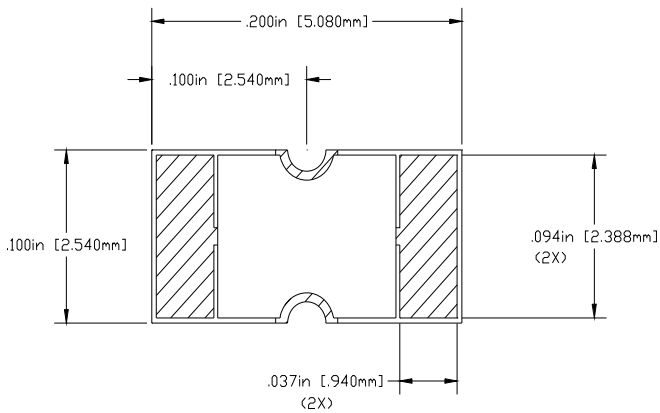
CHIP ATTENUATOR

Features:

- ◆ Aluminum Nitride Material
- ◆ DC to 500 MHz
- ◆ 10 Watt Input Power
- ◆ CT = Tin Lead over Nickel over Silver
- ◆ Solder Mountable

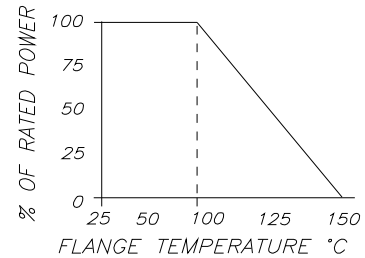
General Description:

The ABC2010CT-3000GN-2T is an 30 dB Aluminum Nitride chip attenuator. It has an input power of 10 watts, while maintaining a constant mounting surface temperature of 100°C. It offers a frequency range of DC to 500 MHz.



Dimensions in inches [mm]
Tolerance ± .010 [.254]
unless otherwise stated

DERATING CURVE:



Parameter	Min.	Typ.	Max	Units
Frequency Range	DC		500	MHz
Attenuation	29	30	31	dB
Input Return Loss	32			dB
Output Return Loss	32			dB
Power Dissipation			10	Watts
Mounting Surface Temperature			100	°C

Barry Industries reserves the right to change part number and or process without notification.

Barry Industries, Inc., 60 Walton St., Attleboro, MA 02703 T: 508-226-3350 F: 508-226-3317 E-mail: sales@barryind.com
Barry Industries maintains an ISO 9001 Certified Quality Management System

Origination Date	Revision Date	Rev.
10/13/08	10/13/08	-