



WWW.BARRYIND.COM

A3000-250-4X



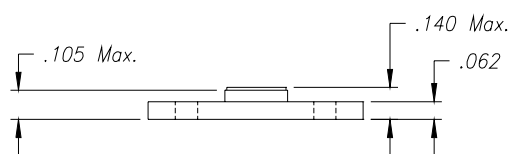
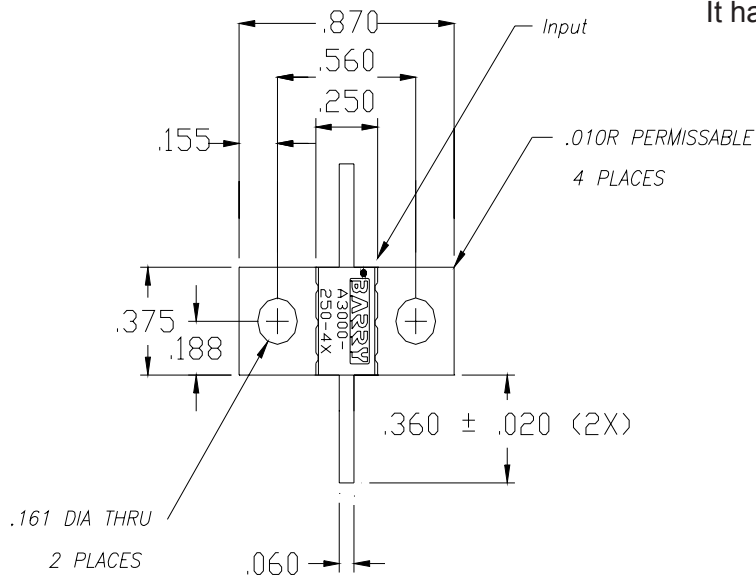
BeO 30 dB FLANGED ATTENUATOR

Features:

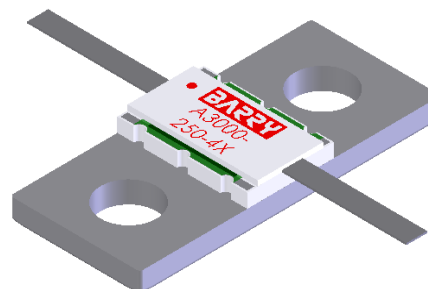
- ◆ BeO Material
- ◆ DC - 2.0 GHz Performance
- ◆ 250 Watt Input Power
- ◆ Flange Mount

General Description:

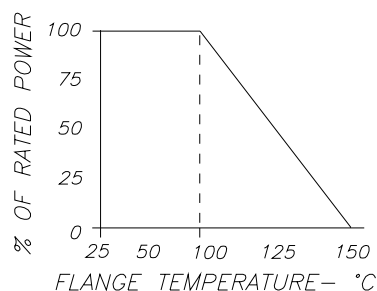
The A3000-250-4X is a flanged 30 dB, BeO attenuator. It offers an input power of 250 watts, while maintaining a constant flange temperature of 100°C. It has a frequency range from DC to 2.0 GHz.



Dimensions in inches
Tolerance $\pm .010$
unless otherwise stated



DERATING CURVE:



Parameter	Min.	Typ.	Max.	Units
Frequency Range	DC		2.0	GHz
Input Return Loss	19			dB
Output Return Loss	19			dB
Attenuation	29	30	31	dB
Input Power			250	Watts
Flange Temperature			100	°C

Barry Industries reserves the right to change part number and or process without notification.

Barry Industries, Inc., 60 Walton St., Attleboro, MA 02703 T: 508-226-3350 F: 508-226-3317 E-mail: sales@barryind.com

Barry Industries maintains an ISO 9001 Certified Quality Management System

Origination Date	Revision Date	Rev.
05/27/08	05/27/08	-