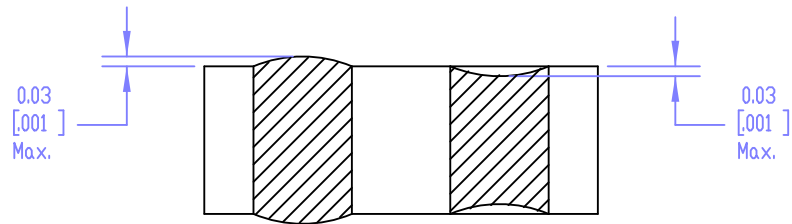
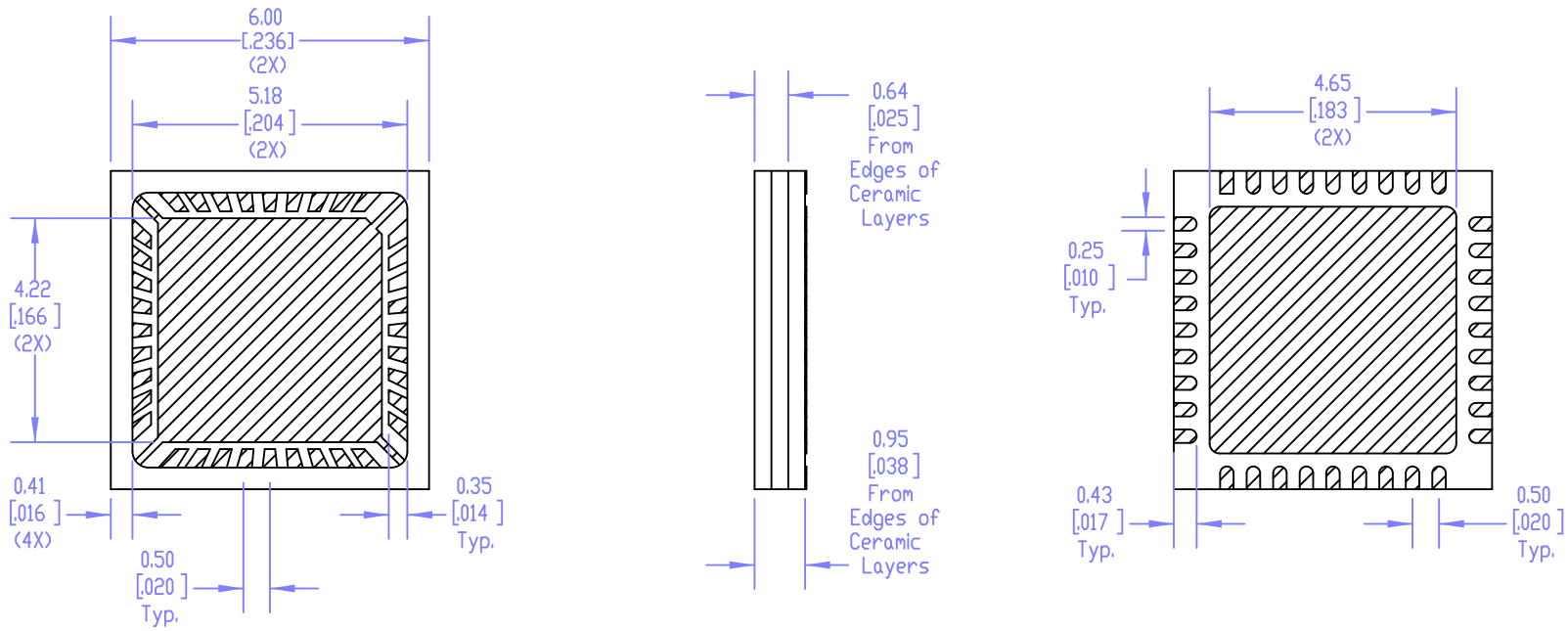
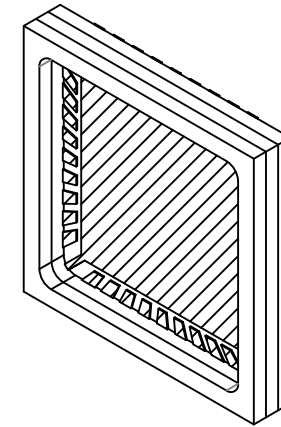



|           |             |  |
|-----------|-------------|--|
| Revisions | ECO #       |  |
|           | Approved    |  |
|           | Date        |  |
|           | Description |  |
| Rev       |             |  |



Via Planarity (not to scale)



|                  |                    |   |                         |   |  |              |
|------------------|--------------------|---|-------------------------|---|--|--------------|
| Drawn<br>R. HUOT | Date<br>NOV 9 2016 | UNLESS OTHERWISE SPECIFIED:<br>DIMENSIONS ARE IN MILLIMETERS. |                         | <br>60 WALTON ST.<br>ATTLEBORO, MA. 02703<br>(508) 226-3350<br>www.barryind.com | Title<br>6mm - 36 Pin QFN - Bare Seal Ring |              |
| Engineering      | Date               | TOLERANCES ON DECIMALS  | ON ANGLES               |   | Drawing No. QFN-6636-0520                  |              |
| Q.A.             | Date               | .X ± .25  | ± .5°                   |   | Revision<br>B                              |              |
| Manufacturing    | Date               | .XX ± .10   |                         |   | Material<br>Alumina                        | Used On      |
| Released         | Date               | .XXX ± .050   |                         | Finish  |  | Qty.         |
|                  |                    | .XXXX ± .0100   | CODE IDENT NO.<br>6P825 |   | Scale 7:1                                  | Sheet 1 of 1 |
|                  |                    |   |                         | Drawing Size A  |  |              |